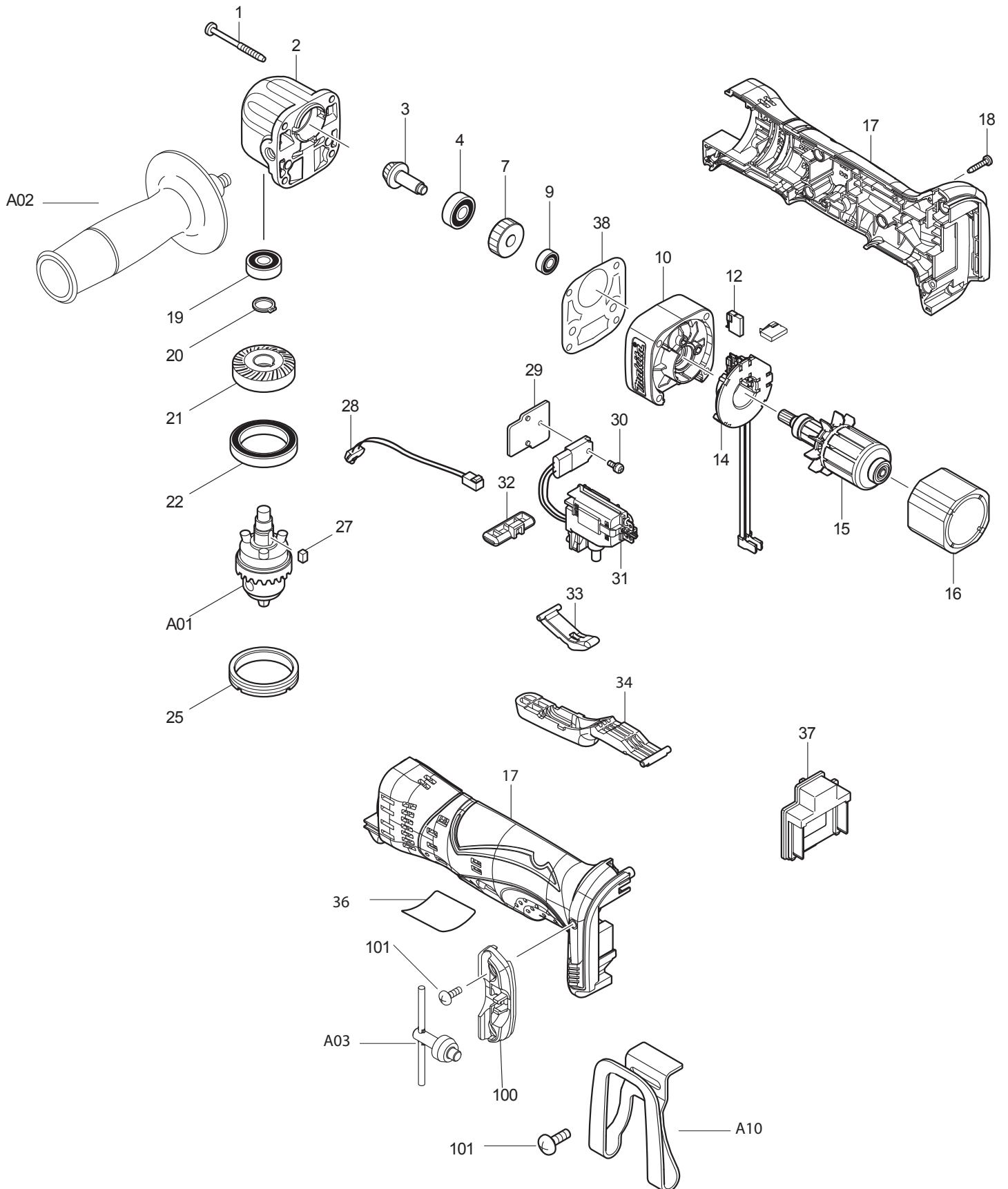




03 - 2014
DDA350F, DDA350RFE, DDA350Z
18V ANGLE DRILL



PARTS LIST

Item No	Type	Part No	Description	Qty	Unit
001		266069-6	TAPPING SCREW M4X45	4	PC.
002		317635-3	GEAR HOUSING	1	PC.
003		227436-0	SPIRAL BEVEL GEAR 9	1	PC.
004		210029-0	BALL BEARING 608ZZ	1	PC.
007		227230-0	SPUR GEAR 29	1	PC.
009		210033-9	BALL BEARING 696ZZ	1	PC.
010		450607-6	GEAR HOUSING COVER	1	PC.
011		803U04-5	CAUTION LABEL	1	PC.
012		195021-6	CARBON BRUSH CB-440 2PC/SET W/ ORIGIN	1	SET
014		539189-2	BRUSH HOLDER ASSY	1	PC.
014	INC.		Item No. 12		
015		619234-0	ARMATURE	1	PC.
016		638613-3	YOKE UNIT	1	PC.
017	1	187130-5	HOUSING SET	1	SET
017	2	187129-0	HOUSING SET	1	SET
018		266130-9	TAPPING SCREW BIND PT 3X16	5	PC.
019		210029-0	BALL BEARING 608ZZ	1	PC.
020		961052-5	RETAINING RING S-12	1	PC.
021		227536-6	SPIRAL BEVEL GEAR 26	1	PC.
022		211423-9	BALL BEARING 6806DDW	1	PC.
025		285842-5	BEARING RETAINER 36-43	1	PC.
027		254201-4	KEY 4	1	PC.
028		631814-2	LED CIRCUIT	1	PC.
029		689098-6	HEAT SINK	1	PC.
030		911006-2	PAN HEAD SCREW M3X8	1	PC.
031		632B91-1	SWITCH UNIT	1	PC.
032		450610-7	F/R CHANGE LEVER	1	PC.
033		450609-2	LINK	1	PC.
034		450608-4	SWITCH LEVER	1	PC.
036		815P22-1	NAME PLATE F/DDA350	1	PC.
037	2	644809-6	TERMINAL	1	PC.
038		418036-9	GASKET	1	PC.
100		450688-0	KEY HOLDER	1	PC.
101		251314-2	+ SCREW M4X12 (FOR KEY HOLDER)	1	PC.
A01		763174-5	3/8" DRILL CHUCK	1	PC.
A02		153489-2	GRIP 36 COMPLETE (Resin Grip)	1	PC.
A03		763415-9	CHUCK KEY S10	1	PC.
A04		-----	BATTERY CHARGER		

Item No	Type	Part No	Description	Qty	Unit
A05		-----	18V LI-ION BATTERY		
A06		-----	LI-ION BATTERY ACCESSORIES		
A07		141358-9	PLASTIC CARRYING CASE	1	PC.
A07	INC.	163455-1	LATCH	2	PC.
A07	INC.	419360-3	HANDLE	1	PC.
A09		452947-8	BIT HOLDER	1	PC.
A10		346449-3	HOOK F/ 14.4V, 18V LI_ION BATTERIES	1	PC.